

## Specifications

HJ-XXXCE stands for EC type approval models.

Model with EC approval	HJ-220E HJ-220CE	HJ-320E HJ-320CE	HJ-420E HJ-420CE	HJ-620E HJ-620CE	HJ-1200E HJ-1200CE	HJ-2200E HJ-2200CE	HJ-3200E HJ-3200CE	HJ-4200E HJ-4200CE	HJ-6200E HJ-6200CE
Capacity	220g	320g	420g	620g	1200g	2200g	3200g	4200g	6200g
Readability	0.001g				0.01g				
Repeatability(s)	0.001g				0.01g				
Non-Linearity(typ.)	±0.001g				±0.01g				
Pan size	120×140mm				200×200mm				
Dimensions(LWH)	333×220×186mm (including windshield)				333×220×88mm				
Weight units*1	g, ct, oz, lb, ozt, dwt, GN, t!(Hong Kong), t!(Taiwan), t!(Singapore, Malaysia), momme, tola								
Calibration	With external weight								
Weight	Approx. 3.5kg				Approx. 4.0kg				

Model with EC approval	HJ-8200E HJ-8200CE	HJ-10KE HJ-10KCE	HJ-12KE HJ-12KCE	HJ-15KE HJ-15KCE	HJ-21KE HJ-21KCE	HJ-31KE HJ-31KCE
Capacity	8200g	10000g	12000g	15000g	21000g	31000g
Readability	0.1g	0.05g	0.1g	0.1g	0.1g	0.1g
Repeatability(s)	0.1g	0.05g	0.1g	0.1g	0.1g	0.1g
Non-Linearity(typ.)	±0.1g	±0.05g	±0.1g	±0.1g	±0.1g	±0.1g
Pan size	200×200mm		200×200mm		220×250mm	
Dimensions(LWH)	330×220×88mm		330×220×88mm		330×260×112mm	
Weight units*1	g, ct, oz, lb, ozt, dwt, GN, t!(Hong Kong), t!(Taiwan), t!(Singapore, Malaysia), momme, tola					
Calibration	With external weight					
Weight	Approx. 4.0kg		Approx. 8.5kg		Approx. 9.5kg	

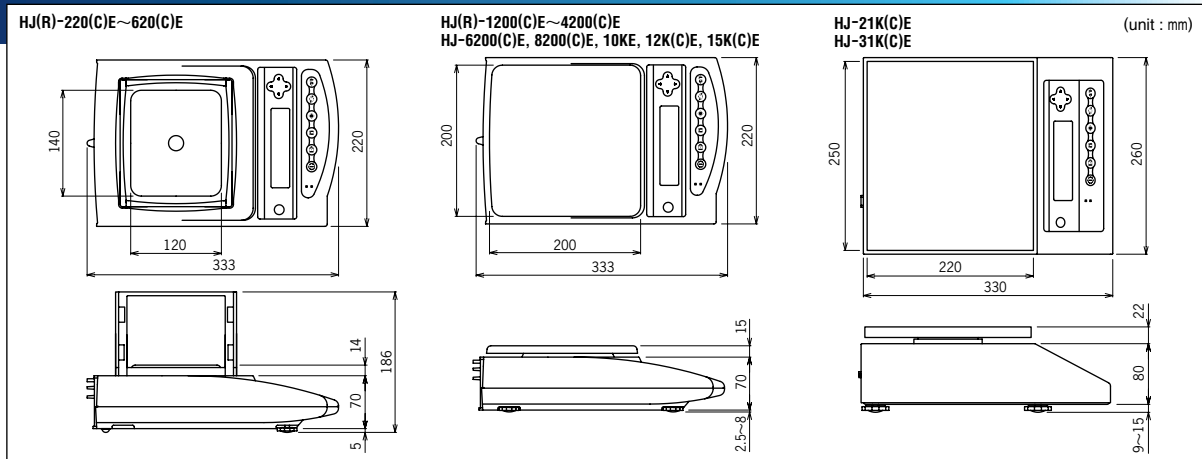
### Common Specification

Power source: AC120/230V DC12V  
 Output: RS-232C 2outputs  
 Measuring system: Tuning-fork frequency sensing (MMTS)  
 Tare: Full weighing range  
 Display: Fluorescent display  
 Modes: weighing, counting, percentage, unit converting\*2, density  
 \*2: unit converting is not available in HJ(R)-CE models.

Model with EC approval	HJR-220E HJR-220CE	HJR-320E HJR-320CE	HJR-420E HJR-420CE	HJR-620E HJR-620CE	HJR-1200E HJR-1200CE	HJR-2200E HJR-2200CE	HJR-3200E HJR-3200CE	HJR-4200E HJR-4200CE
Capacity	220g	320g	420g	620g	1200g	2200g	3200g	4200g
Readability	0.001g				0.01g			
Repeatability(s)	0.001g				0.01g			
Non-Linearity(typ.)	±0.001g				±0.01g			
Pan size	120×140mm				200×200mm			
Dimensions(LWH)	333×220×186mm (including windshield)				333×220×88mm			
Weight units*1	g, ct, oz, lb, ozt, dwt, GN, t!(Hong Kong), t!(Taiwan), t!(Singapore, Malaysia), momme, tola							
Calibration	With built-in weight and external weight							
Weight	Approx. 4.5kg				Approx. 5.8kg			

\*1: only g, kg & carat are available in HJ(R)-CE models.

## Dimensions



## Options & Peripherals

HJBT : Rechargeable battery unit	HJLM : Relay contact	HJUH : Under weighing hook
HJBZ : Buzzer output	HJR4 : RS-422A output	HJDK : Density measurement kit
	HJFP : Full pack set with buzzer, relay contact	HJWL : Large windshield (199×198×238mm)

The contents of this catalogue are subject to change due to modifications and/or other reasons.

●Distributed by:

# SHINKO DENSHI CO., LTD.

3-9-11 YUSHIMA, BUNKYO-KU, TOKYO 113-0034  
 TEL : 81-3-3835-4577 FAX : 81-3-5818-6066  
 URL : <http://www.vibra.co.jp> E-mail : [info@vibra.co.jp](mailto:info@vibra.co.jp)

**VIBRA®**  
 Measure the Future

# PRECISION TUNING-FORK BALANCE HJ/HJR series

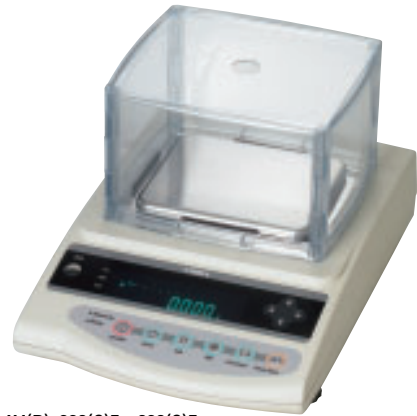


**SHINKO DENSHI CO., LTD.**



# HJ/HJR series

## TOUGH & INTELLIGENT



HJ(R)-220(C)E~620(C)E



HJ(R)-1200(C)E~4200(C)E  
HJ-6200(C)E, 8200(C)E  
HJ-10KE, 12K(C)E, 15K(C)E



HJ-21K(C)E  
HJ-31K(C)E

**Precision Tuning-fork Balance with full of capacity and readability range!**

**Strongly built housing!  
Best solution for your every needs!**

### Extra-Large weighing pan

Large square weighing pan for all capacities  
120×140mm for HJ(R)220(C)E~620(C)E.....0.001g resolution  
200×200mm for HJ(R)-1200(C)E~15K(C)E .....0.01g and 0.1g resolution  
220×250mm for HJ-21K(C)E, 31K(C)E .....0.1g resolution

### Equipped with latest MMTS for 1/620,000 resolution

Mono-Metal Tuning-fork Sensor provides quick response, Long-term stability and high resolution.



### Very tough! Aluminum alloy die casting housing

Aluminum alloy die casting housing resistant to external shock, pharmaceutical and chemical materials.



### User friendly, simple operation!

Large fluorescent display highly visible in all lighting conditions  
Direction keys for easy function setting



#### Direction key

Easy function setting by the 4 direction keys



#### Bar graph display

A 20-step bar graph display  
Easily check the current load's weight against the capacity

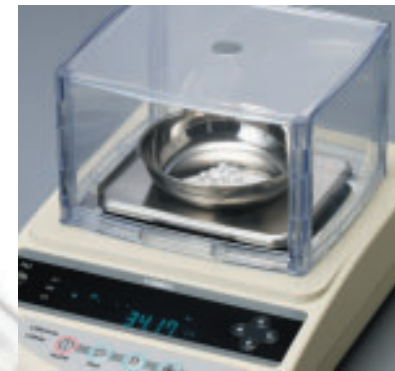


#### One touch automatic calibration (HJR type only)

Just one touch of the CAL key to calibrate the balance with motor-driven built-in weight  
Easy maintenance to keep the balance always in good condition

### Multi-mode & multi-function to meet your every needs!

4 functions (standard display, accumulating, comparator and accumulating + comparator) in 4 modes (weighing, counting, percent, unit-converting) plus density measurement



#### Draft windshield as standard

Draft windshield provided as standard (0.001g readability)  
Taller windshield can be provided as option (199×198×238mm)



#### Comparator function

Easily judge a weight based on the limit value user has stored in the balance



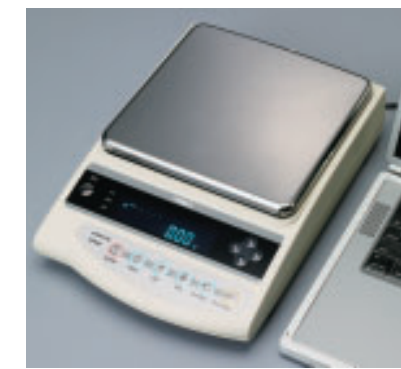
#### Industrial scene

Accurate counting & percentage mode with high internal resolution



#### Density determination mode

Measure the density of solids and liquids with density measurement kit\* \*option



#### Connection to PC, etc

RS232C interface equipped as standard to connect to PC, printer and other outside devices



#### ISO/GLP compliant printing record

Record and print calibration procedures and result with an operational printer